



Washer extractors

W4280X, W4350X, W4600X

Features and benefits

- **Clarus Control® with:**
 - Fully programmable microprocessor
 - All relevant wash parameters can be programmed
 - Programming from key pad or downloading via memory card
- **AS – Automatic Savings:**
 - The machine weighs the linen and adjusts the amount of water and energy according to the load. This leads to considerable savings in case the machine is not fully loaded
- Large door opening for easy loading/unloading
- Super Balance, software ensure a quick distribution/extraction cycle with low noise/vibration level
- Frequency controlled motor
- Prepared for manual or automatic detergent supply
- Stainless steel in all vital parts for high degree of rust protection
- Stainless steel front panels and powder painted side panels
- Non-heated or direct steam heating
- Electrical heating (only W4350X, W4600X)



Images shown are a representation of the product only and variations may occur.

Main options

- Stainless steel panels
- Coin-meter (only W4280X, W4350X)
- Five compartment supply injector (only W4600X)
- Third water inlet valve (only W4600X)

Main specifications				W4280X		W4350X		W4600X	
Rated capacity, filling factor 1:10		kg/lb		28/62		35/77		60/135	
Drum, volume		litre		280		350		600	
	diameter	ø mm		830		920		980	
Extraction max		rpm		805		650		630	
G-factor				300		220		220	
Heating alternatives, 230/400V	electricity	kW		-		25		40.8	
		steam		x		x		x	
		non-heated		x		x		x	
Consumption data "Normal 60°C" 1:10*				Steam	El	Steam	El	Steam	
Total time		min	**		49	**	45	**	
Water consumption (cold/hot)		litre		308/-		313/62		703/-	
Energy consumption (motor/heating)		kWh		0.35/-		0.5/2.4		2.1/5.4	
Steam consumption		kg		7.3		-		16	

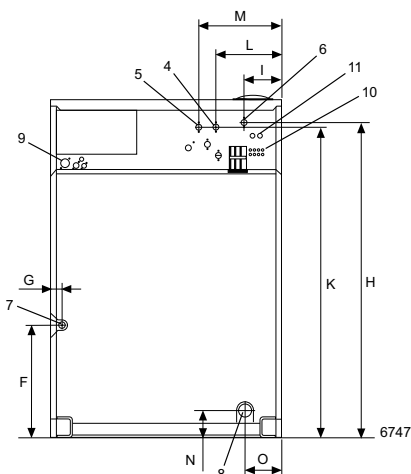
* Water temperature 15°C cold water and 65°C hot water.
** Depending on steam pressure.



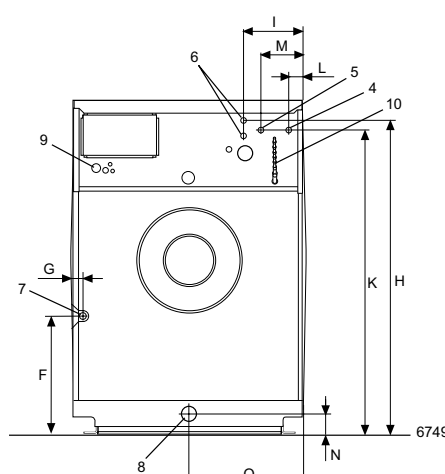
Electrical connections*			W4280X	W4350X	W4600X
Heating	Voltage				
EI.	230V 3AC 50/60Hz	kW(A)	-	25(63)	40.3(80)
	400-415V 3N AC 50Hz	kW(A)	-	25(50)	40.8(63)
Steam or non-heated	208-240V 1AC 50/60Hz	kW(A)	1.5(16)	2.5(16)	-
	230V 3AC 50/60Hz	kW(A)	-	-	2.1(10)
	400-415V 3AC 50Hz	kW(A)	-	-	2.8(10)
Water and steam connection					
Water valves		DN/inch	20/ 3/4	20/ 3/4	25/1
Rec. water pressure		kPa	200-600	200-600	200-600
Capacity at 300 kPa		l/min	60	60	110
Drain valve		ø mm/inch	75/3	75/3	75/3
Steam valve		DN/inch	15/ 1/2	15/ 1/2	20/ 3/4
Rec. steam pressure		kPa	300-600	300-600	300-600
Floor requirements					
Frequency of the dynamic force		Hz	13.4	10.8	10.5
Floor load at max extraction		kN	4.9 ± 9.5	6.9 ± 10.7	10.0 ± 15.6
Sound levels					
Sound power level (IEC 60704-2-4)					
wash		dB(A)	69	65	70
extraction		dB(A)	75	82	84
Heat emission					
% of installed power, max			5	5	5
Shipping data					
Weight		net, kg	380	560	775
Dimensions					
A	Width		935	1085	1145
B	Depth		970	1105	1185
C	Height		1455	1570	1670
D			515	530	600
E			120	120	120
F			400	525	800
G			55	55	65
H			1365	1465	1585
I			230	185	305
K			1325	1445	1540
L			315	315	75
M			395	395	215
N			120	120	105
O			170	190	570
P			-	-	1390
R			-	-	50

- | | |
|---|---|
| 1 Control panel | 6 Cold or hot water (optional for W4600X) |
| 2 Soap box (only W4280X, W4350X) | 7 Steam connection |
| 2A Soap box (only W4600X) | 8 Drain |
| 3 Door opening ø410 (W4280X), ø535 (W4350X, W4600X) | 9 Electrical connection |
| 4 Cold water | 10 Liquid detergent supply |
| 5 Hot water | 11 Water reuse |

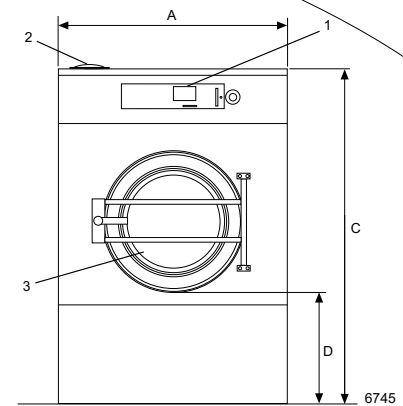
* Other voltages available, see installation manual.



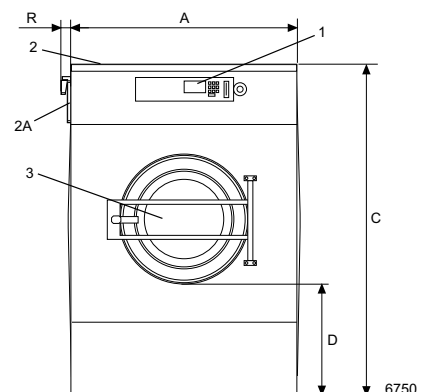
Rear side W4280X, W4350X



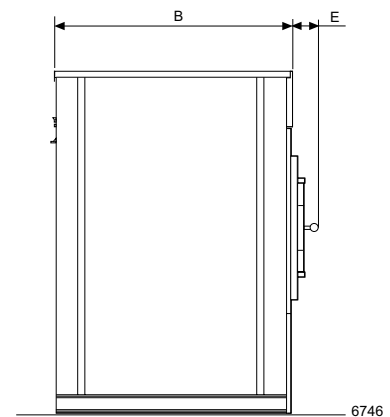
Rear side W4600X



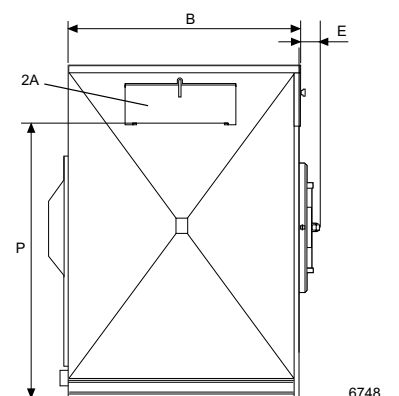
Front W4280X, W4350X



Front W4600X



Left side W4280X, W4350X



Left side W4600X